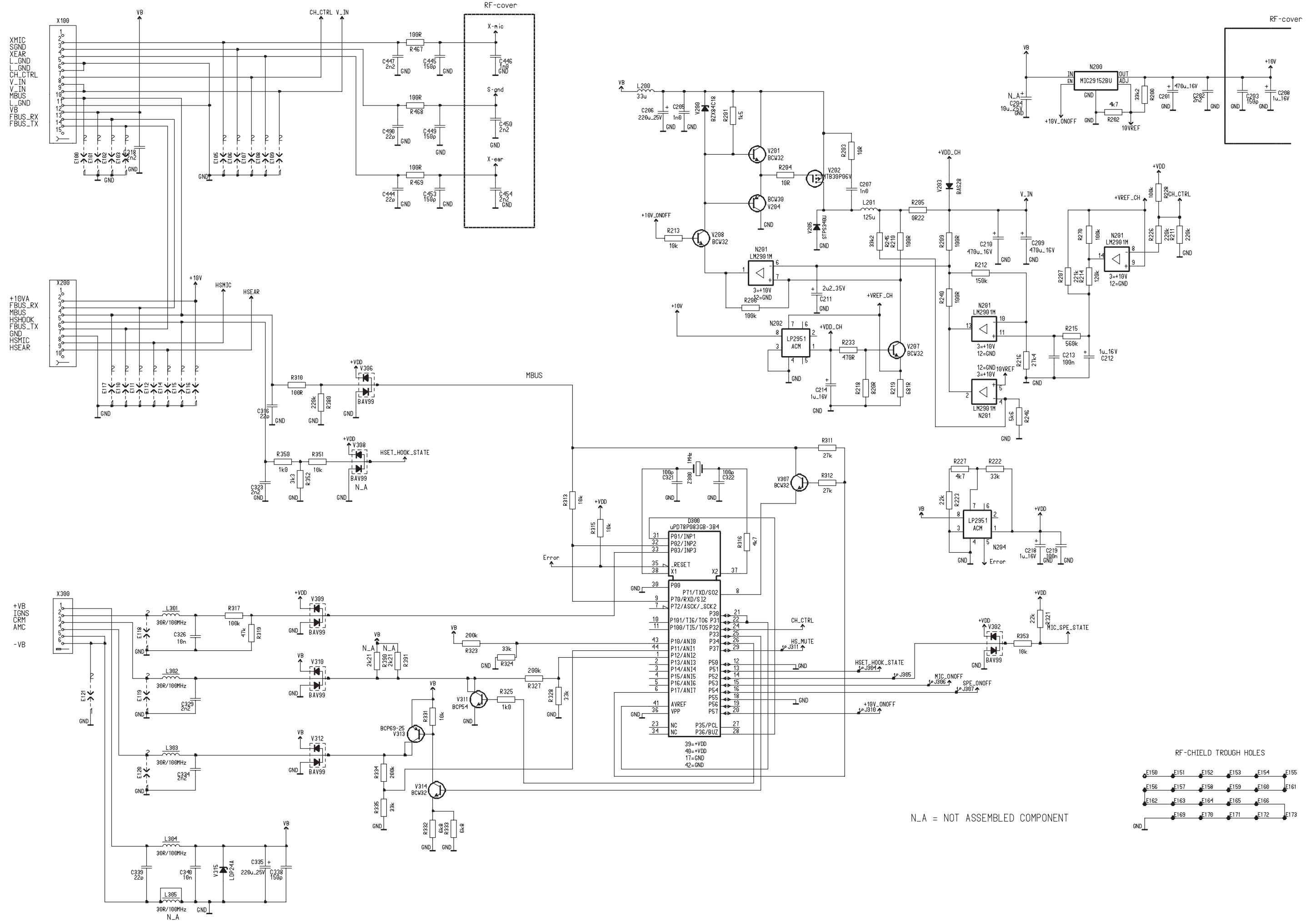
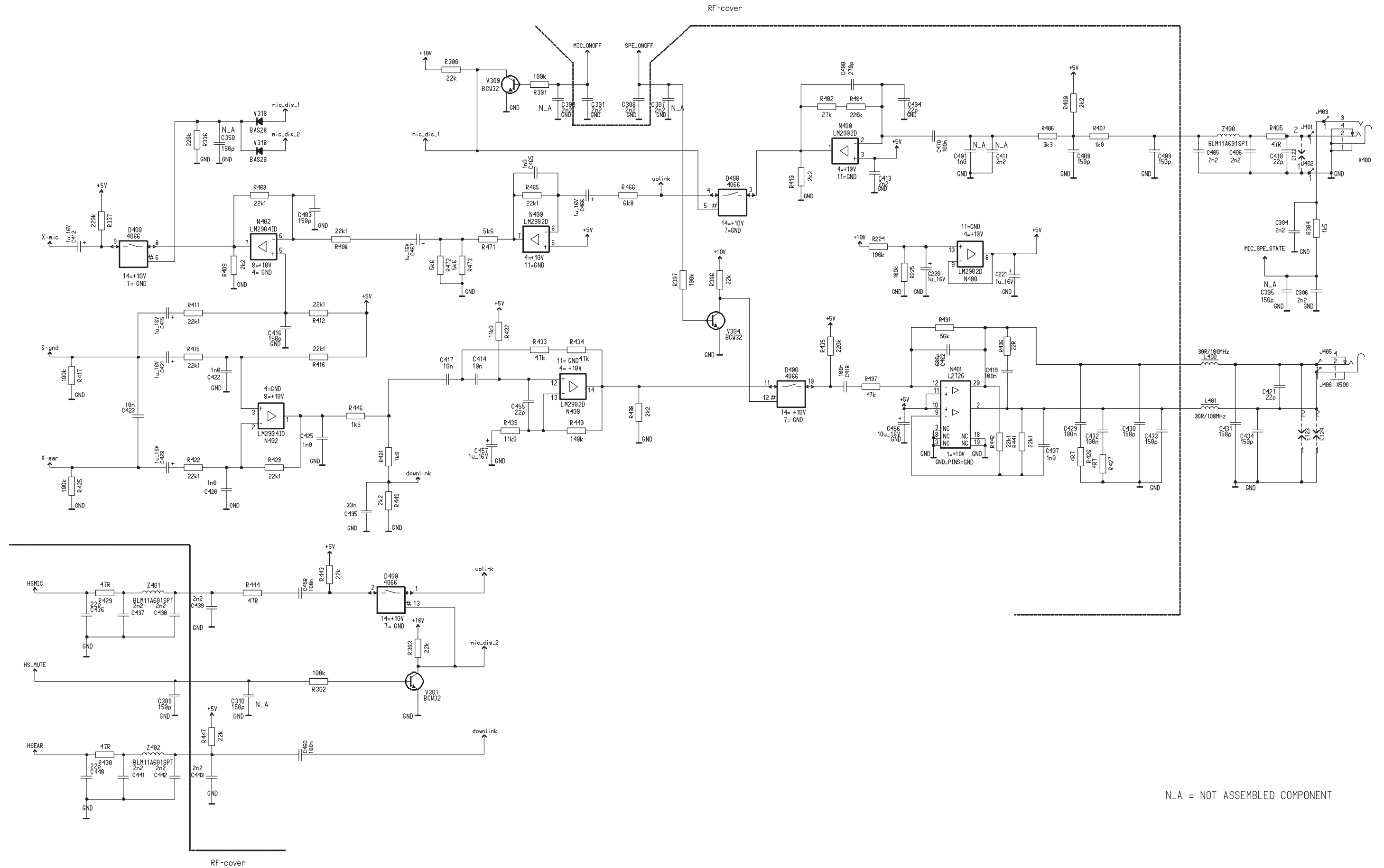


Block Diagram of Power & Charging (Version 5 Edit 94) for layout version 05

Hands Free Unit

HFU-2





ALTERNATIVE COIL TYPES

